

NMTLED585 series

Economical low-powered modular multiple lights



NMTLED5853A



NMTLED5851A



NMTLED5852A



APPLICATIONS

- Retail stores
- Shopping malls
- Hotels and restaurants

TECHNICAL DETAILS

- 9W COB LEDs
- Large diameter acrylic lens for precise beam angle and light control
- 9W per module and 1, 2 or 3 modules per fitting
- Rated life: 30,000 hours

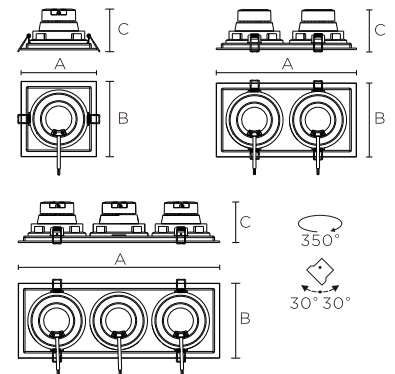
CONSTRUCTION

- Polycarbonate body
- Adjustable angle: horizontal 350°, vertical 30°
- Integrated driver included

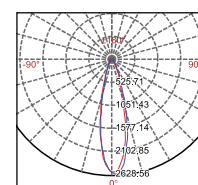
OPTIONS

- **Body colour:** Choice of black or semi-white
- **Beam angle:** Choice of 15°, 24° or 36°

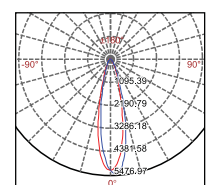
Model	Colour temp.	Lumens	CRI	PF	Beam angle
NMTLED5851A 9W	3000K/4000K/5700K	720 lm	>80	>0.75	15°/24°/36°
NMTLED5852A 2x9W	3000K/4000K/5700K	1,440 lm	>80	>0.75	15°/24°/36°
NMTLED5853A 3x9W	3000K/4000K/5700K	2,160 lm	>80	>0.75	15°/24°/36°



Watts	A	B	C	Cut-out
9W	145	145	83	130x130
2x9W	275	145	83	130x260
3x9W	390	145	83	130x375



NMTLED5851A 9W 24°



NMTLED5852A 2x9W 24°